






# 550

## TOUCH CONTROL PANEL

Code	Model	Dimensions LxWxH cm			
<b>P09FN09024</b>	550 6C	↔ 118	↗ 172,5	↕ 182,5	
	Control	Chamber height cm	Cooking surface cm		
	Digital	20	75x105		
	Pizza Capacity	Max Temperature	Weight Kg		
	6 x Ø 30/34	 515 °C	 565		
	Total Power KW	Voltage V	Phases Ph	Frequency Hz	
	16,4	400	3N+T	50	



# 550

Code

**P09FN09024**

Model

**550 6C**

## General Features

---

5" Touchscreen for perfect control of all oven functions.

Hood with automatic activation suction with LED, controllable from the touch screen.

Cool-touch closure system that heats without losing heat.

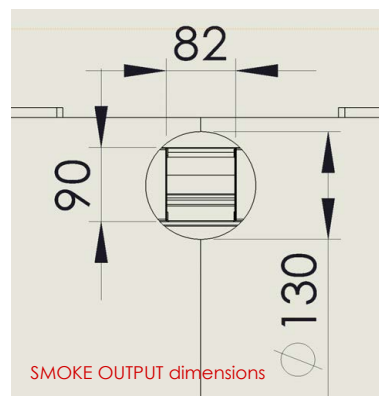
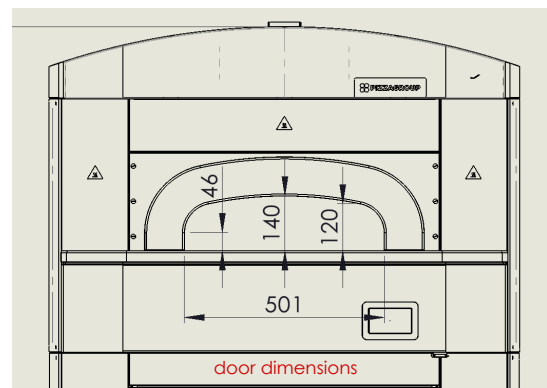
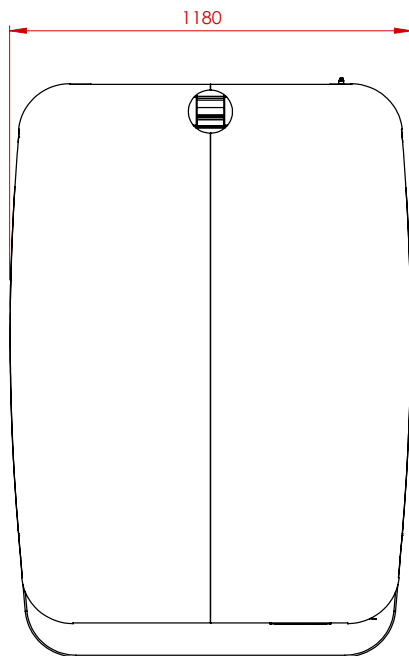
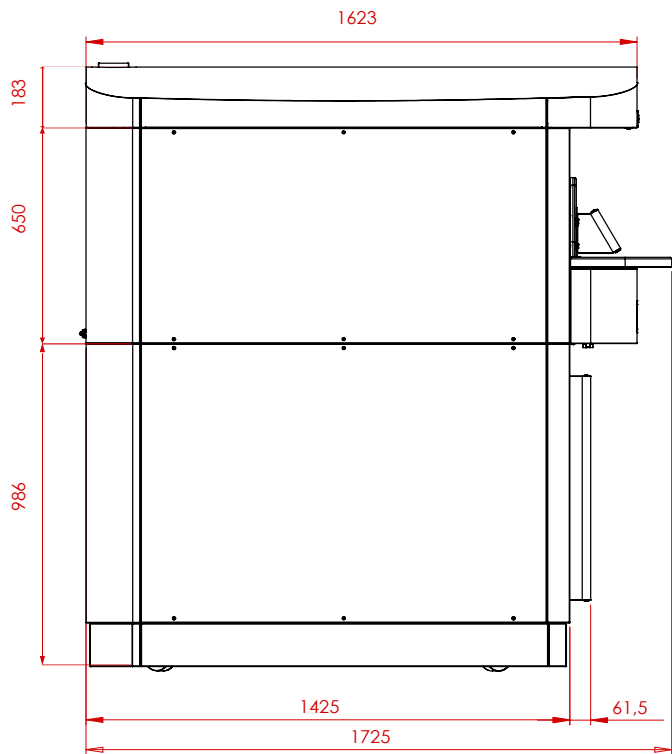
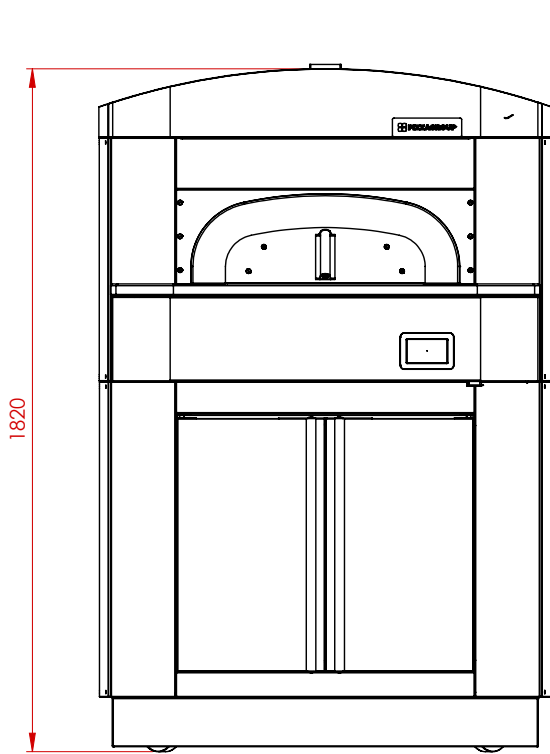
Built-in proofing chamber, temperature-controlled, reaching up to 60°C.



# 550

Code  
**P09FN09024**

Model  
**550 6C**








CONNECTABLE WITH:  
130 diameter pipe (not supplied)  
Rectangular flange 82x90 (not supplied)



# 550

## TOUCH CONTROL PANEL

Code	Model	Dimensions LxWxH cm			
<b>P09FN09028</b>	550 9C	↔ 153	↗ 172,5	↕ 182,5	
	Control	Chamber height cm	Cooking surface cm		
	Digital	20	105x105		
	Pizza Capacity	Max Temperature	Weight Kg		
	9 x Ø 30/34	 515 °C	 725		
	Total Power KW	Voltage V	Phases Ph	Frequency Hz	
	23,6	400	3N+T	50	



# 550

Code

**P09FN09028**

Model

**550 9C**

## General Features

---

5" Touchscreen for perfect control of all oven functions.

Hood with automatic activation suction with LED, controllable from the touch screen.

Cool-touch closure system that heats without losing heat.

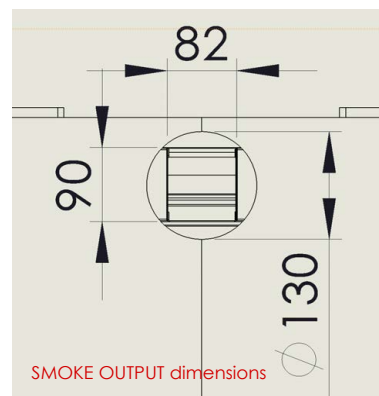
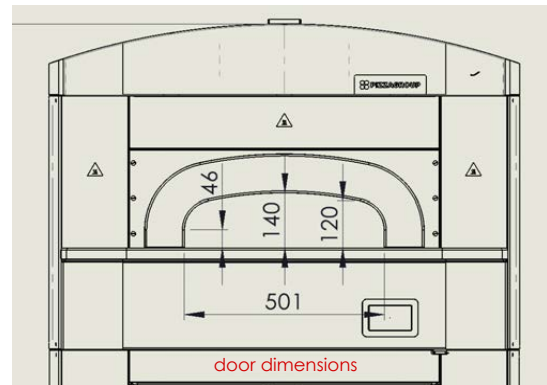
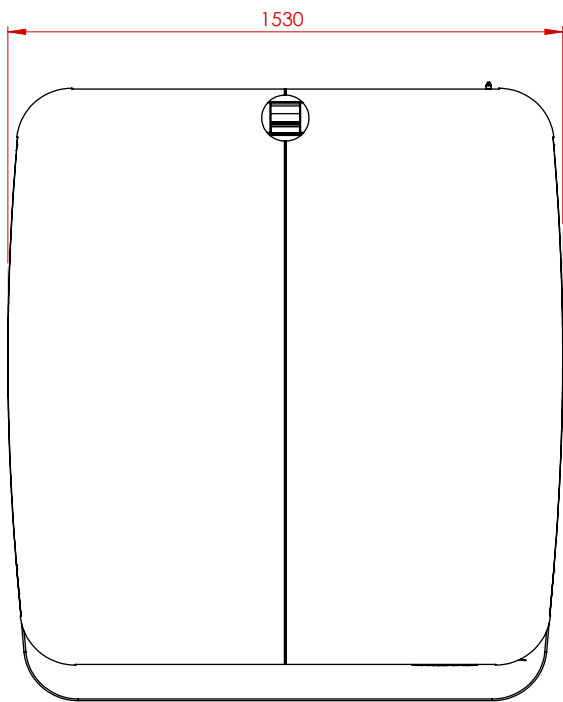
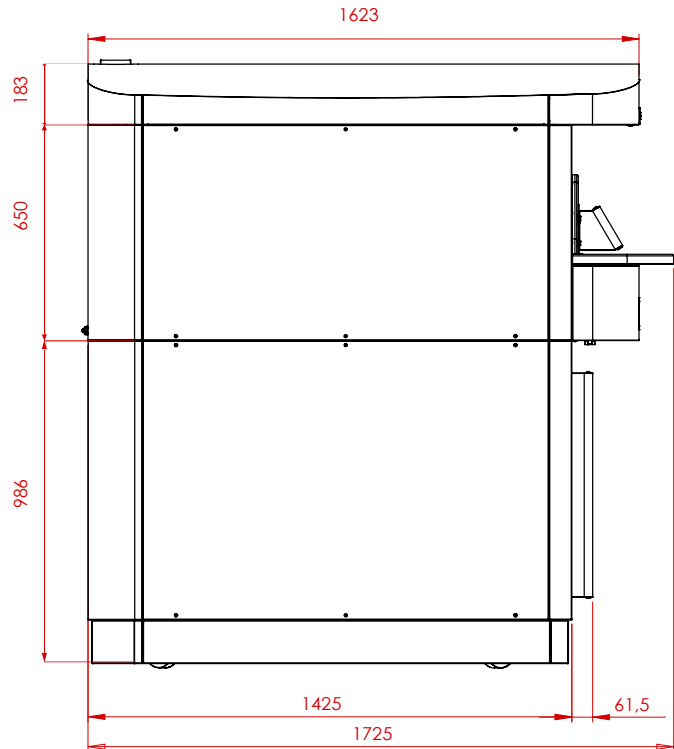
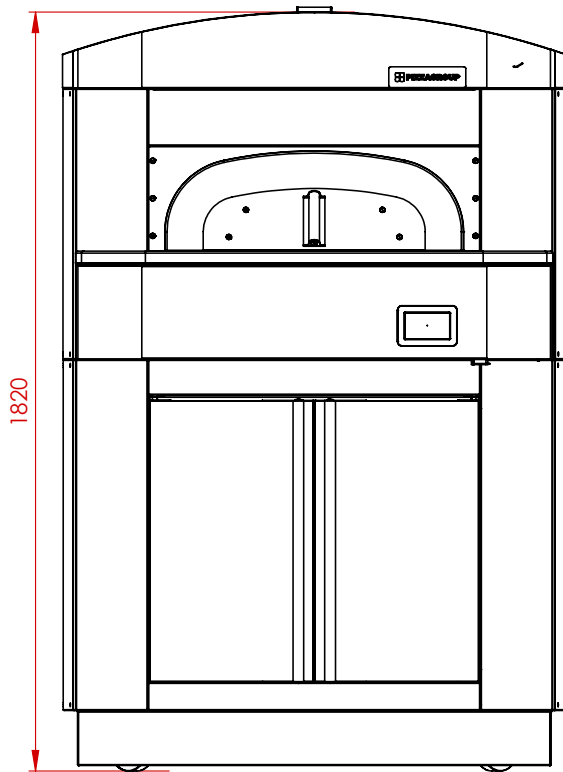
Built-in proofing chamber, temperature-controlled, reaching up to 60°C.



# 550

Code  
**P09FN09028**

Model  
**550 9C**



CONNECTABLE WITH:  
130 diameter pipe (not supplied)  
Rectangular flange 82x90 (not supplied)

